

AS Micro^{LITE} HE (ASL) Series Connectors



Compact design (size 06 shell)

- Designed for sensor applications
- 5 contacts Size #23
- PCB option

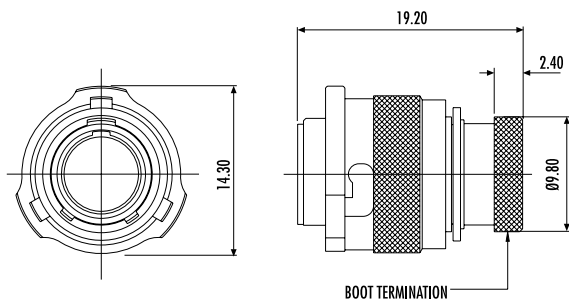
Easy installation

- Positive locking coupling mechanism
- Suitable for blind mating
- Scoop proof interface
- Boot termination feature

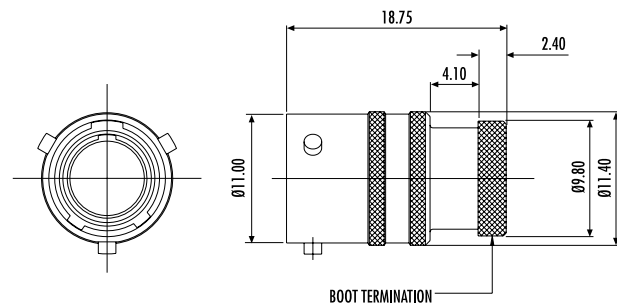
Built to withstand harsh environments

- Conductive black zinc finish
- Interfacial wire sealing
- Bonded and sealed insert to prevent moisture ingress

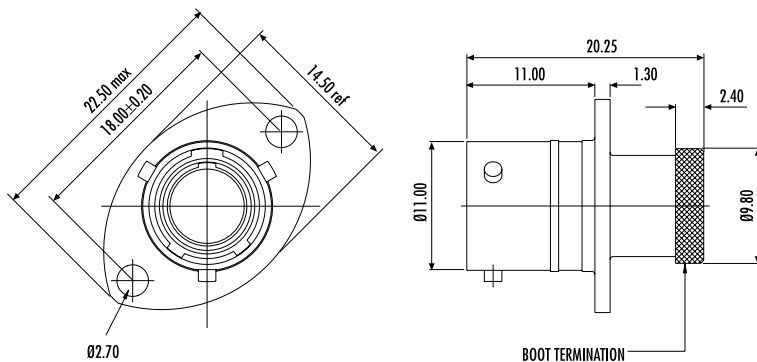
PLUG - TYPE 6



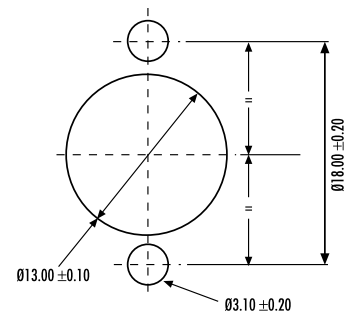
INLINE RECEPTACLE - TYPE 1



RECEPTACLE - TYPE 0



PANEL CUT-OUT DETAIL



All dimensions are in mm unless otherwise stated.

AS Micro^{LITE} HE (ASL) Series Connectors

GENERAL SPECIFICATION

No. of Ways	Contact Size	Shell Size	Max. Current (Amps)	Durability (Cycles of Engagement & Disengagement)	Dielectric Withstanding Voltage (VAC)**	No. of Keyway Orientations	Wire Sealing (mm)		Temperature (°C)*	
							Min.	Max.	Min.	Max.
5	23	06	3	500	1000	6	0.60	1.37	-55	+170

* The upper limit is the maximum internal hot-spot temperature resulting from the combination of the ambient temperature and heating due to current.

** Current leakage less than 2 milliAmps at (VAC)

CONTACTS & TOOLING PART NUMBERS

Contact Size	Socket	Pin	PCB Socket	PCB Pin	Filler Plug	Ins/Ext Tool	Crimp Tool	Socket Positioner	Pin Positioner
23	604935	604927-31	604992-HE	604990-31	600300-22	M81969/14-01	M22520/2-01	604973	604972

ORDERING INFORMATION

ASL * 06 - 05 * * - HE - ***

Range Ref: _____

Style:
 0 = 2-Hole Flange Receptacle
 1 = Inline Receptacle
 2 = 2-Hole Flange Receptacle with PCB Contacts
 6 = Free Plug

Shell Size: _____

Contact Arrangement: _____

Insert Type:
 P = Pin
 S = Socket

Shell Keyways:
 N = Red (Standard)
 A = Yellow
 B = Blue
 C = Orange
 D = Green
 E = Grey
 U = Violet
 (U = Universal for Test Harnesses- Plug Type 6 only)

Harsh Environment: _____

Modification Code: _____

ACCESSORIES PART NUMBERS

Pro Cap		Nut Plate	Gasket
Receptacle	Plug		
604029	604027	ATM396-6	GV-6

	Boot Information	
	Straight	90 Degree
Raychem	204W221	224W221
Hellermann	1030-4-G	1181-4-G