

AS Double Density (ASDD) Series Connectors



Next generation connector - high density and high performance 8 shell sizes

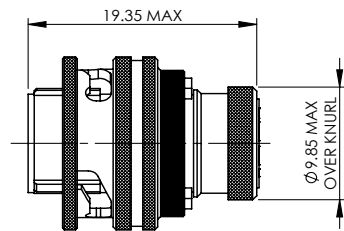
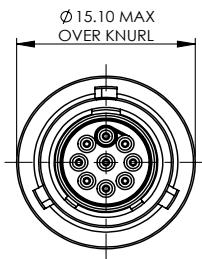
- Allows for a saving of 2 shell sizes relative to standard autosport planforms
- Very lightweight
- Almost double the number of contacts compared with the standard autosport range equivalent shell size
- Integral screen

Built to withstand harsh environments

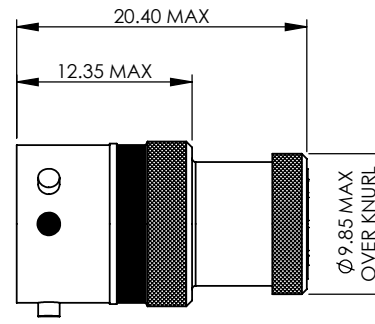
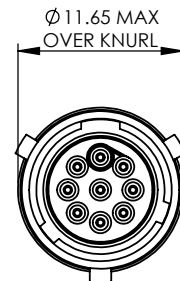
- Conductive black zinc finish
- Interfacial wire sealing
- Bonded and sealed insert to help prevent moisture ingress

9-WAY CONNECTOR DIMENSIONS - For other dimensions, Refer to pages 24 to 27

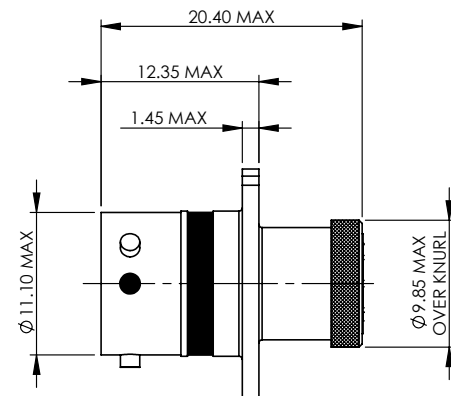
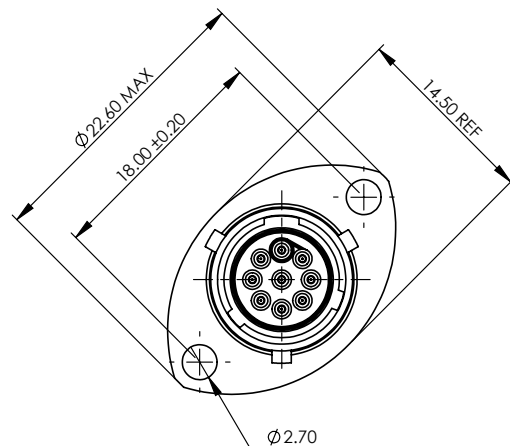
PLUG - TYPE 6



INLINE RECEPTACLE - TYPE 1



RECEPTACLE - TYPE 0



All dimensions are in mm unless otherwise stated.

GENERAL SPECIFICATION

Connector	Contact Size	Shell Size	Max. Current (Amps)	Durability (cycles of engagement & disengagement)	Dielectric Withstanding Voltage (VAC)**	No. of Keyway Orientations	Wire Sealing (mm)		Temperature (°C)*	
							Min.	Max.	Min.	Max.
06-09		06				6				
07-11		07				3				
08-11		08				3				
10-23	24	10	3	500	750	6	0.56	1.02	-55	+170
12-41		12								
14-64		14								
16-93		16								
18-118		18								

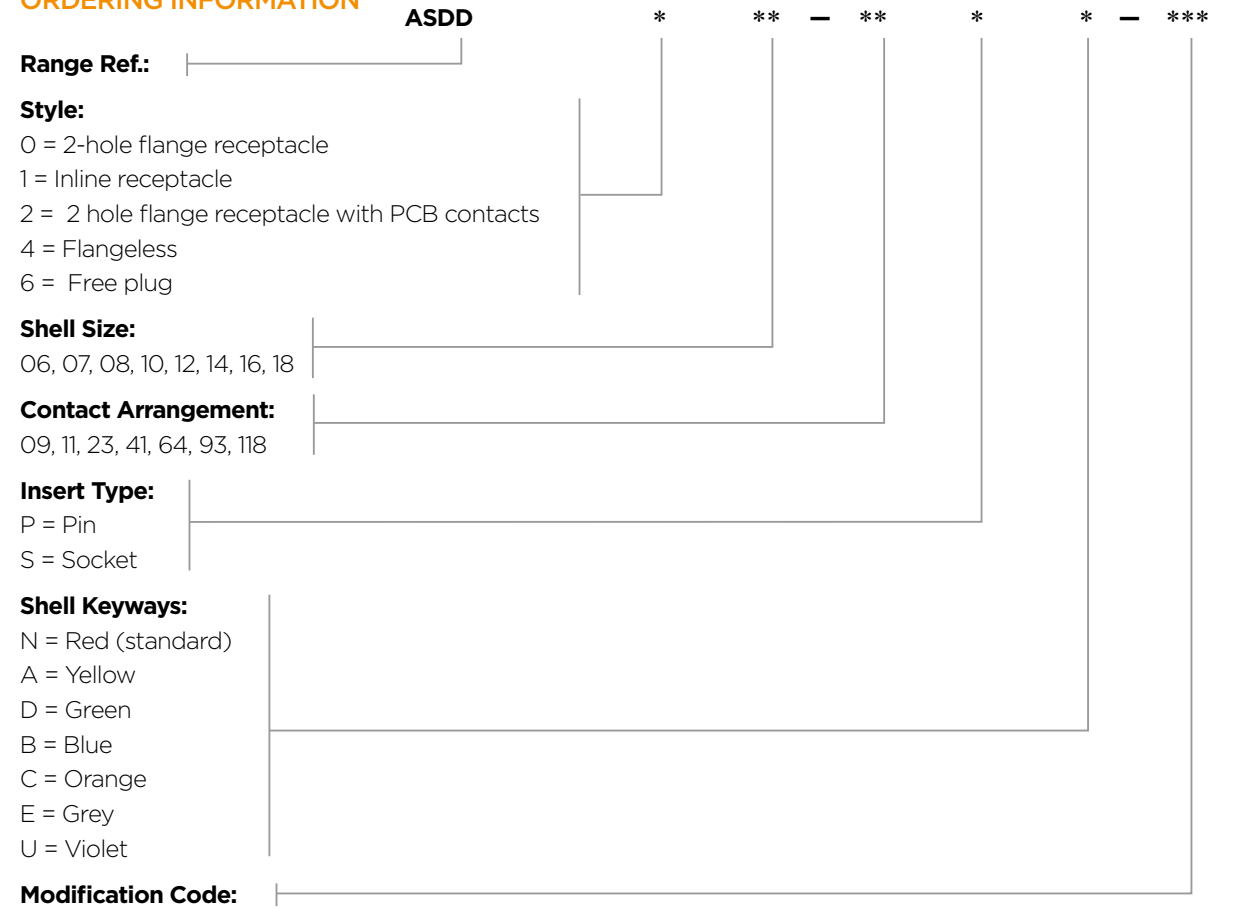
* The upper limit is the maximum internal hot-spot temperature resulting from the combination of the ambient temperature and heating due to current.

** Current leakage less than 2 milliAmps at (VAC)

CONTACTS & TOOLING PART NUMBERS

Connector	Socket	Pin	PCB Socket	PCB Pin	Ins/Ext Tool	Socket Positioner	Pin Positioner
06-09	605704	605705-31	610008	610006-31		605840	605839
07-11	612552	605719-31	612715-ZZ	612714-31		M22520/2-09	605839
08-11							
10-23					605837		
12-41	605721	605719-31	PCB versions are ordered with AS2 prefixes and come with contacts.				
14-64							
16-93							
18-118							
						610287	610286

ORDERING INFORMATION



Please note: 08-11 is only available in keyways N, A and D, and 06-09 is available in all keyways. 07-11 is only available in keyways N, A and B.

ACCESSORIES PART NUMBERS

For information on boots and nut plates please refer to AS series on pages 22 to 27 or contact TE Technical Support for further information.