

# AS Mini Series Connectors



- Size 07 shell  
Smaller option to Mil size 08
- 2 planform options  
3 or 6 contact options
- Integral screen termination  
Ideal for braided cable installations
- Cable accommodation 20, 22, 24 and 26 AWG
- Offers size 8 insert arrangement in smaller shell

## GENERAL SPECIFICATION

| No. of Ways | Contact Size | Shell Size | Max. Current (Amps) | Durability (cycles of engagement & disengagement) | Dielectric Withstanding Voltage (VAC)** | No. of Keyway Orientations | Wire Sealing (mm) |      | Temperature (°C)* |      |
|-------------|--------------|------------|---------------------|---|---|----------------------------|-------------------|------|-------------------|------|
|             |              |            |                     |   |   |                            | Min.              | Max. | Min.              | Max. |
| 6           | 22           | 07         | 5                   | 500   | 1500                                    | 3                          | 0.76              | 1.37 | -55               | +170 |
| 3           | 20           |            | 7.5                 |   | 1800                                    |                            | 1.02              | 2.11 |                   |      |

\* The upper limit is the maximum internal hot-spot temperature resulting from the combination of the ambient temperature and heating due to current.

\*\* Current leakage less than 2 milliamps at (VAC)

## CONTACTS & TOOLING PART NUMBERS

| Contact Size | Socket         | Pin      | Filler Plug | Ins/Ext Tool | Crimp Tool  | Socket Positioner | Pin Positioner |
|--------------|----------------|----------|-------------|--------------|-------------|-------------------|----------------|
| 22           | 604887         | 38941-22 | 600300-22   | M81969/14-01 | M22520/2-01 | 605000            | M22520/2-09    |
| 20           | 6862-201-20278 | 38941-20 | 600300-20   | M81969/14-10 |             | M22520/2-10       | M22520/2-10    |

## ORDERING INFORMATION

AS \* 07 - \*\* \* \* -HE \*\*\*

**Range Ref:** \_\_\_\_\_

**Style:**  
 0 = 2-hole Receptacle  
 1 = 1 Inline Receptacle  
 6 = Free plug

**Shell Size:** \_\_\_\_\_

**Contact Arrangement:**  
 35, 98

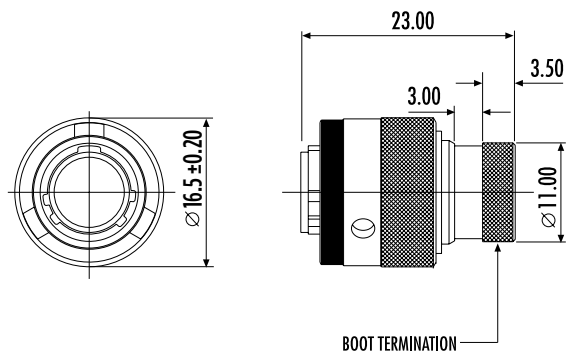
**Insert Type:**  
 P = Pin  
 S = Socket

**Shell Keyways:**  
 N = Red (standard)  
 A = Yellow  
 B = Blue

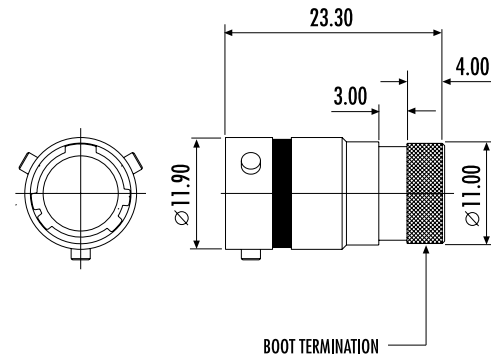
**HE: Harsh Environment** \_\_\_\_\_

**Modification Code:** \_\_\_\_\_

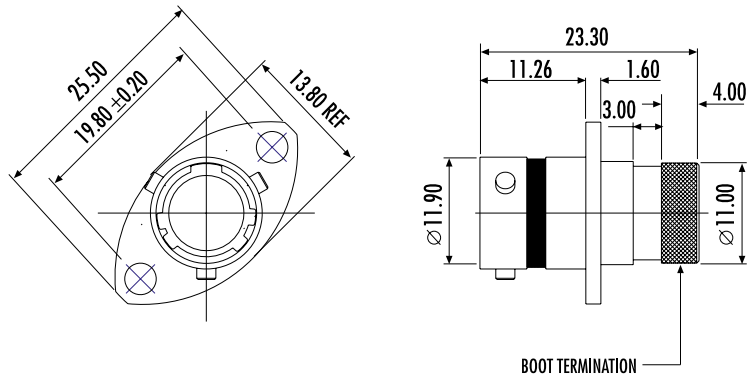
### PLUG - TYPE 6



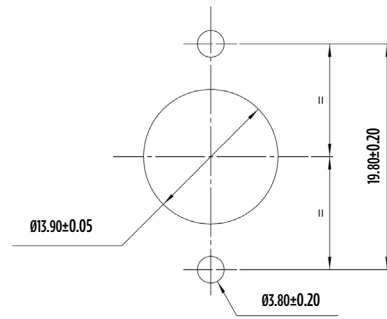
### INLINE RECEPTACLE - TYPE 1



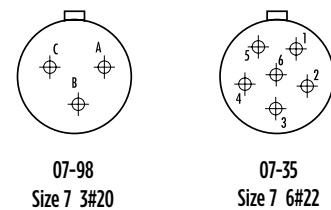
### RECEPTACLE - TYPE 0



### PANEL CUT-OUT DETAIL



### INSERT ARRANGEMENTS



All dimensions are in mm unless otherwise stated.

## ACCESSORIES PART NUMBERS

| Pro Cap    |       |           |        | Boot Information    |           |
|------------|-------|-----------|--------|---------------------|-----------|
| Receptacle | Plug  | Nut Plate | Gasket | Straight            | 90 degree |
| AS907      | AS807 | ATM396-7  | GV-7   | Raychem 202K121     | 222K121   |
|            |       |           |        | Hellermann 152-42-G | 1152-4-G  |