

AS Series Connectors



Large application choices

- Filter, hermetic & fibre optic options available
Shell sizes 08 - 24
- Interchangeable with existing LN29729 (Mil-C 38999 Series 1.5) and Pan 6433-2 style connectors
- High density arrangements

Built to withstand harsh environments

- Conductive black zinc finish
- Interfacial wire sealing
- Bonded and sealed insert to prevent moisture ingress

GENERAL SPECIFICATION

Contact Size	Shell Size	Max. Current (Amps)	Durability(cycles of engagement & disengagement)	No. of Keyway Orientations	Wire Sealing (mm)		Temperature (° C)*	
					Min.	Max.	Min.	Max.
22	08 to 24 see below	5	500	5 only 3 for shell size 8	0.76	1.37	-55	+175
20		7.5						
16		20						

*The upper limit is the maximum internal hot-spot temperature resulting from the combination of the ambient temperature and heating due to current.

Shell Size	Contact Arrangement	Number of Contacts			Rating **	Shell Size	Contact Arrangement	Number of Contacts			Rating **
		Size 22 D	Size 20	Size 16				Size 22 D	Size 20	Size 16	
08	-98		3		18	-32		32		I	
08	-35	6			18	-35	66			M	
10	-98		6		20	-16		16		I	
10	-35	13			20	-39		37	2	I	
10	-02			2	20	-41		41		I	
10	-03			3	20	-35	79			M	
12	-04			4	22	-21			21	I	
12	-98		10		22	-55		55		I	
12	-35	22			22	-35	100			M	
14	-97		8	4	24	-29			29	I	
14	-19				24	-61		61		I	
14	-35	37			24	-35	128			M	
16	-08			8						I	
16	-26		26							I	
16	-35	55								M	

**Ratings M&I define Dielectric Withstand Voltage ratings as follows:
M = 1300 volts rms, I = 1800 volts rms, current leakage less than 2 milliAmps.

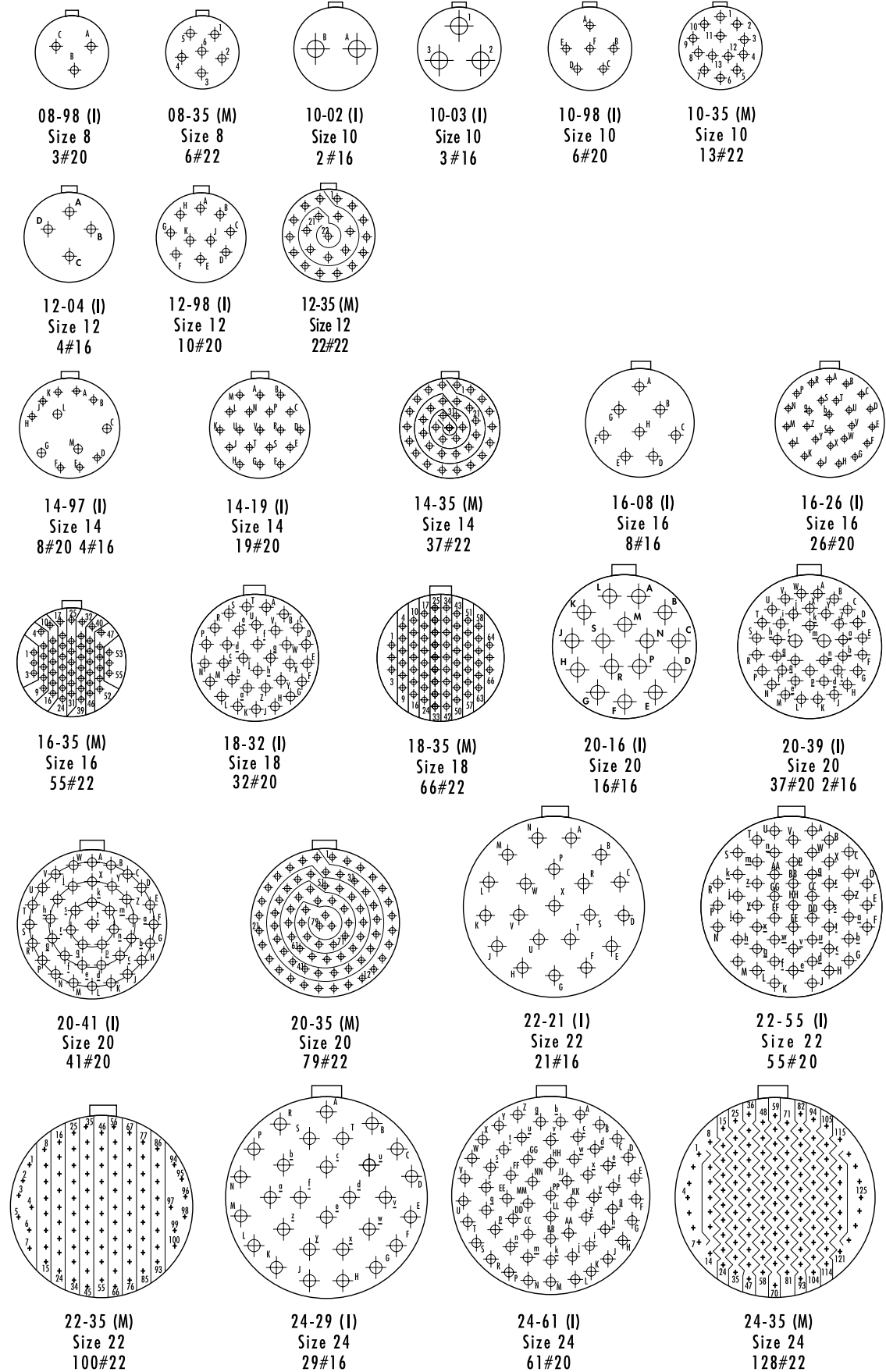
Please note: The contact/insert arrangements shown above are standard layouts. Other combinations of shell sizes and insert arrangements may be available. For details contact the TE Technical Support.

CONTACTS & TOOLING PART NUMBERS

Contact Size	Socket	Pin	Filler Plug	Ins/Ext Tool	Crimp Tool	Socket Positioner	Pin Positioner
22	38943-22	38941-22	600300-22	M81969/14-01	M22520/2-01	M22520/2-07	M22520/2-09
20	38943-20	38941-20	600300-20	M81969/14-10	M22520/2-01	M22520/2-10	M22520/2-10
16	38943-16	38941-16	600300-16	M81969/14-03	M22520/1-01	M22520/1-04	M22520/1-04

Please note: PCB versions are ordered with AS2 prefixes and come with contacts.

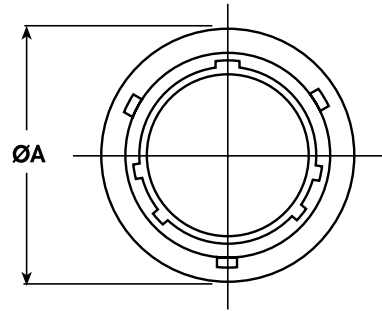
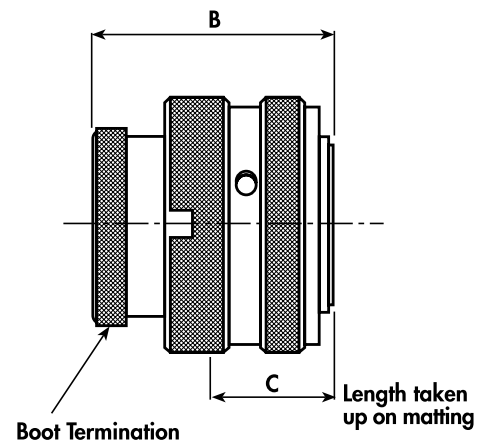
AS CONTACT / INSERT ARRANGEMENTS



Ratings M&I define Dielectric Withstand Voltage ratings as follows: I = 1800 volts rms, M = 1300 volts rms, current leakage less than 2 milliamps.

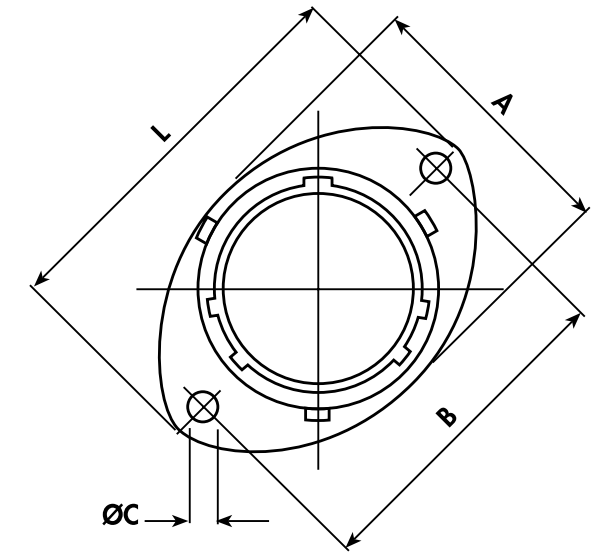
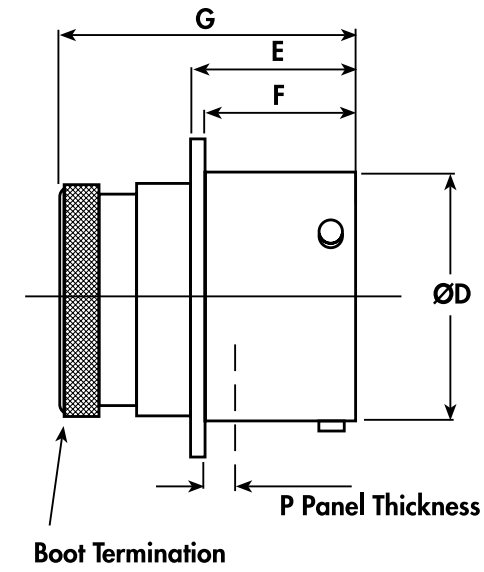
AS Series Connectors (continued)

PLUG - TYPE 6

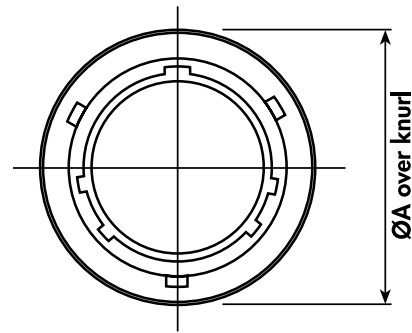
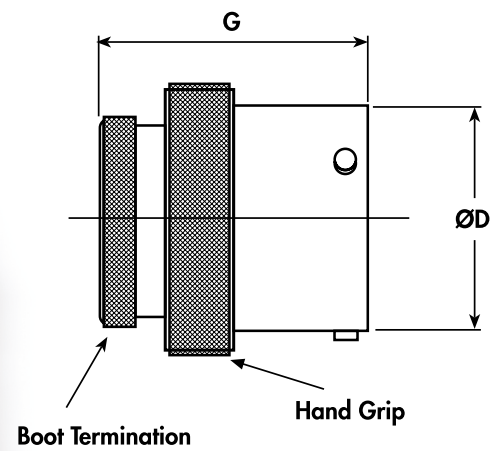


Shell Size	A Max.	B Max.	C Max.
08	17.70		
10	20.80		
12	25.20		
14	28.40		
16	31.50	33.50	15.00
18	34.80		
20	38.20		
22	41.30		
24	44.60		

RECEPTACLE - TYPE O



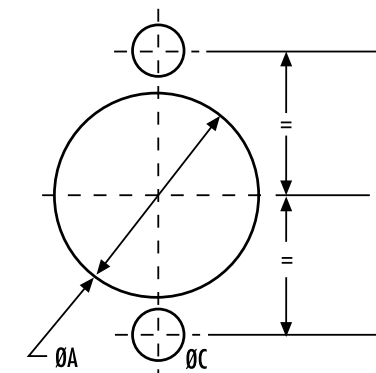
INLINE RECEPTACLE - TYPE 1



Shell Size	A Max.	D +0 -0.13	G Max.
08	17.70	12.00	
10	20.80	15.00	
12	25.20	19.05	
14	28.40	22.22	
16	31.50	25.40	33.50
18	34.80	28.57	
20	38.20	31.75	
22	41.30	34.92	
24	44.60	38.10	

Shell Size	A REF	B ±0.2	C +0.1 -0	D +0 -0.13	E +0.15 -0	F +0 -0.13	G Max.	L Max.	P Max.
08	16.50	21.35		12.00				27.20	
10	19.50	25.90		15.00				32.00	
12	24.00	29.10		19.05				35.20	
14	27.00	32.50		22.22		16.05		38.40	
16	30.30	34.80	3.20	25.40	17.21		33.50	41.00	3.00
18	33.70	38.20		28.57				44.70	
20	37.00	41.60		31.75				47.90	
22	40.00	44.95		34.92		15.29		51.10	
24	43.30	49.35	3.70	38.10				55.80	2.26

PANEL CUT-OUT DETAIL



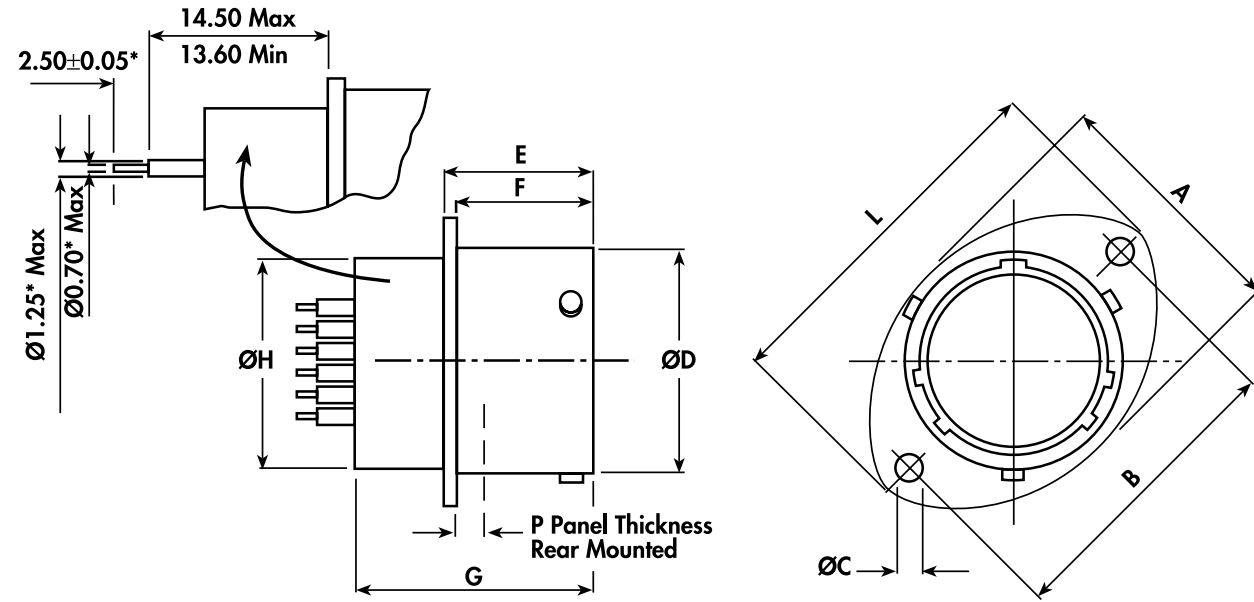
Shell Size	A ±0.10	B ±0.20	C ±0.20
08	14.50	21.40	
10	17.40	25.90	
12	21.90	29.10	
14	25.00	32.50	3.6
16	28.20	34.80	
18	31.40	38.20	
20	34.60	41.60	
22	37.80	44.90	
24	41.00	49.30	4.10

All dimensions are in mm unless otherwise stated.

All dimensions are in mm unless otherwise stated.

AS Series Connectors (continued)

PCB BOX MOUNTING RECEPTACLE - TYPE 2



*Dimensions for 20 and 22 contacts shown are for standard parts. Other PCB contacts are available.

Shell Size	A REF	B ± 0.2	C +0.1 -0	D +0 -0.13	E +0.15 -0	F +0 -0.13	G Max.	H Max.	L Max.	P Max.
08	16.50	21.40		12.00				11.10	27.20	
10	19.50	25.90		15.00				14.27	32.00	
12	24.00	29.10		19.05				17.44	35.20	
14	27.00	32.50		22.22		16.05		20.60	38.40	
16	30.30	34.80	3.7	25.40	17.21		27.65	23.77	41.00	3.00
18	33.70	38.20		28.57				26.94	44.70	
20	37.00	41.60		31.75				30.11	47.90	
22	40.00	44.95		34.92		15.29		33.29	51.10	
24	43.30	49.35		38.10				36.46	55.80	2.26

All dimensions are in mm unless otherwise stated.

ORDERING INFORMATION

AS * ** - ** * * - ***

Range Ref: _____

Style:
 0 = 2-hole flange receptacle (front fixing)
 1 = Inline receptacle
 2 = 2-hole flange box mount PCB receptacle (front fixing or rear fixing)
 6 = Free plug
 8 = Cap for plug
 9 = Cap for receptacle

Shell Size: _____

Contact Arrangement: _____

Insert Type:
 P = Pin
 S = Socket

Shell Keyways:
 N = Red (standard)
 A = Yellow
 D = Green
 B = Blue
 C = Orange
 U = Violet
 (U = Universal for test harnesses)

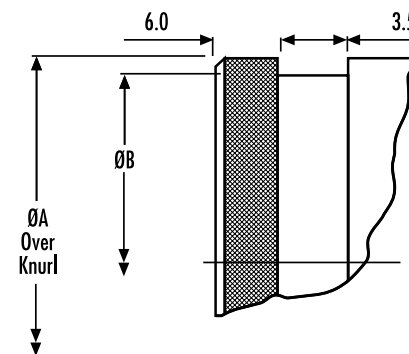
Modification Code: _____

Please note: The size 8 shell is only available in keyways A, D and N.

ACCESSORIES PART NUMBERS

Shell Size	Nut Plate	Gasket
08	ATM396-8	GV-08
10	ATM396-10	GV-10
12	ATM396-12	GV-12
14	ATM396-14	GV-14
16	ATM396-16	GV-16
18	ATM396-18	GV-18
20	ATM396-20	GV-20
22	ATM396-22	GV-22
24	ATM396-24	GV-24

BOOT TERMINATION DETAIL



Shell Size	A ± 0.10	B ± 0.05
08	11.20	10.00
10	14.22	12.95
12	17.39	16.15
14	20.55	19.15
16	23.72	23.35
18	26.89	25.35
20	30.06	28.50
22	33.24	31.70
24	36.41	34.85

All dimensions are in mm unless otherwise stated.