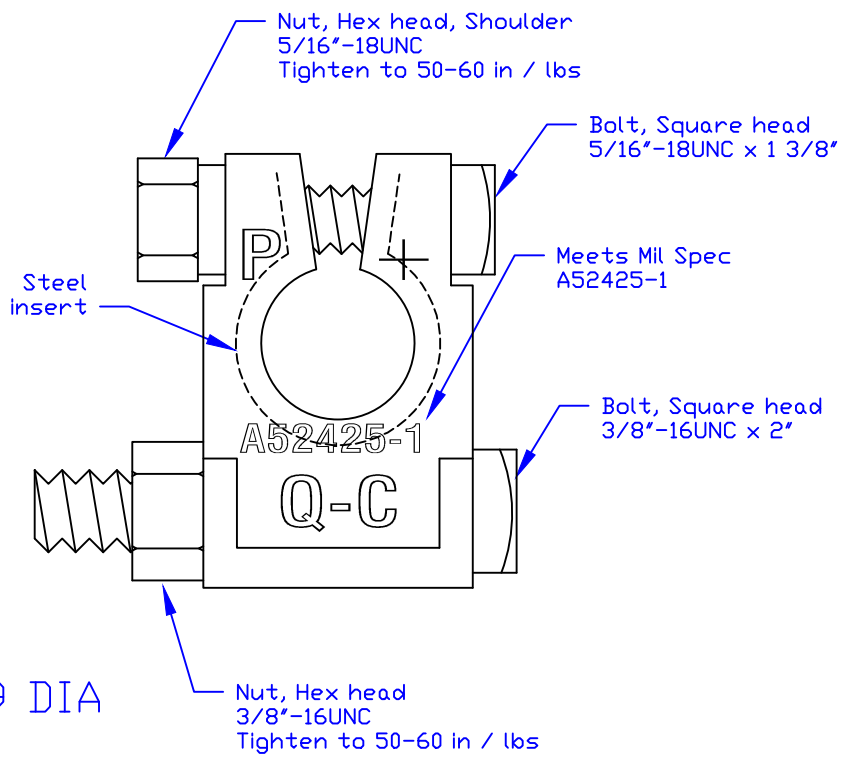
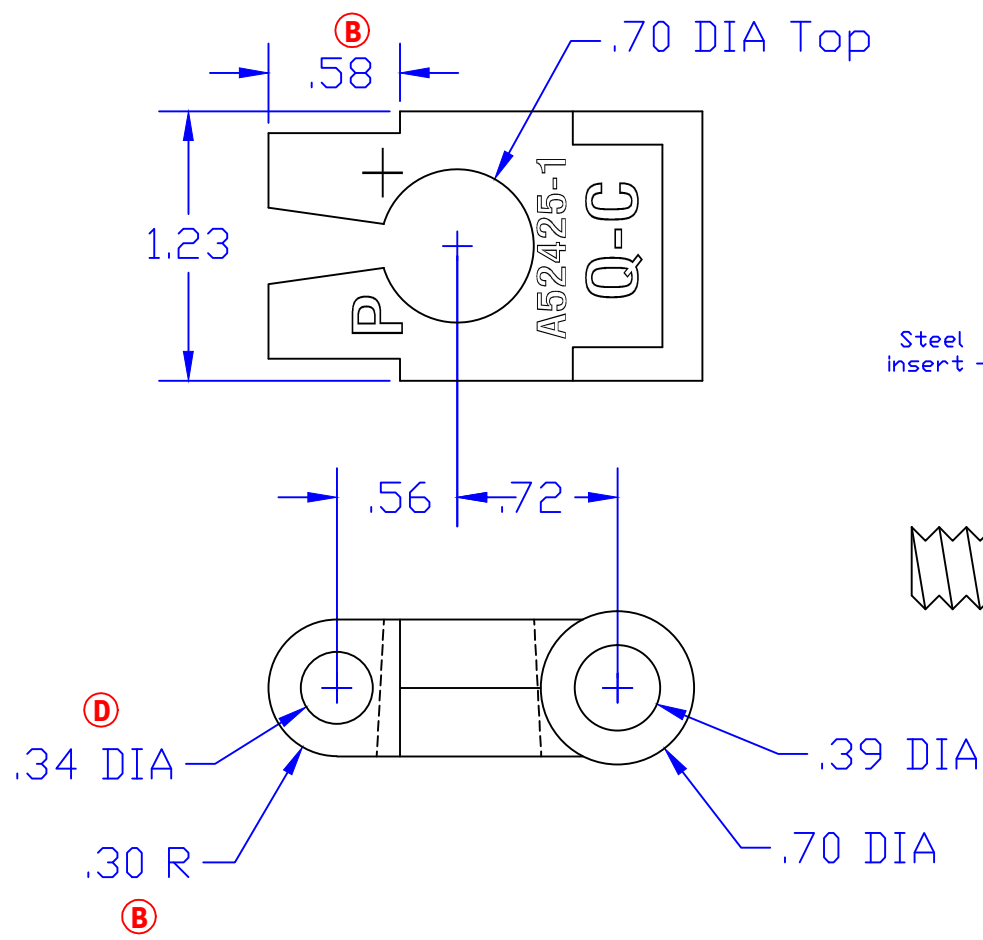


Quick Cable Reserves The Right to Alter Product Types, Their Technical Data, Dimensions, Style And Accessories without Prior Notification.



Rev	Date	ECN#	By	Description
D	03-25-11	2272	JMH	Dia. was .33
C	10-18-10	2190	JMH	Title was "Military Terminal"
B	06-21-10	2142	JMH	Dim. was .56; Radius was .59
A	11-29-04	862	JMH	Change material spec.

Drawn By	Date	Checked By	Scale
Paul P.	6-25-02	R. H.	None

Tolerances, unless otherwise noted
2 place dec. = .015

Property of QUICKCABLE® 3700 Quick Drive Franksville, WI 53126 U.S.A. www.quickcable.com		TITLE Lead Add-on Connector Positive	
		PART # 5350P	
Confidential and Proprietary Information			
Material & Treatment		Drawing #	
(A) Antimonial Lead 4 - 7.5%		5350P-Info	
		Sheet 1 of 1	

D