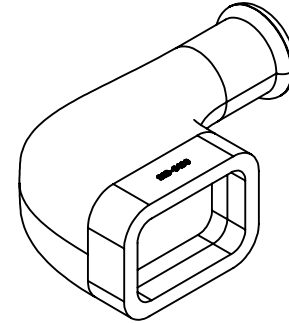
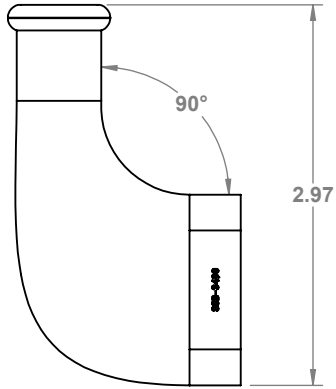


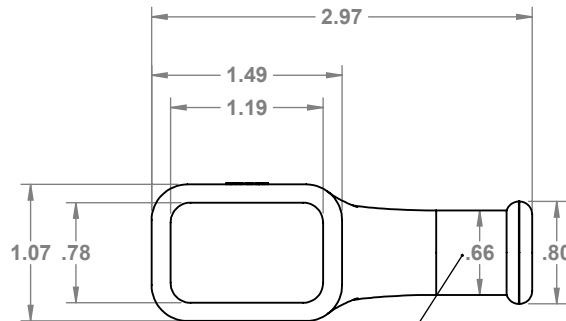
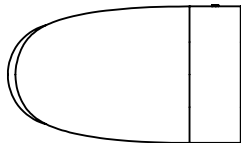
Required Backshell

Part Number	Material
34POS-BS	Aluminum
SSB-34BS-PA66	Thermoplastic

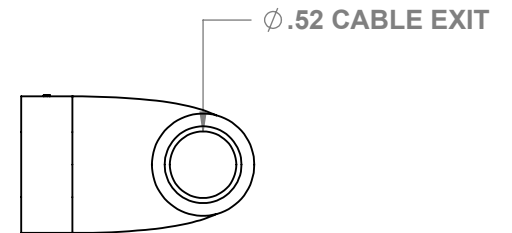


1

IF ADDITIONAL TAIL SEALING IS REQUIRED, A SHORT PIECE OF APPROPRIATELY SIZED ADHESIVE-LINED HEATSHRINK TUBING CAN BE USED. RECOMMENDED TUBING IS RAYCHEM TE ATUM-24/6-0-STK OR EQUIVALENT.



1



ECO #	REV.	DESCRIPTION	DATE	BY
REVISIONS				

TITLE: 34 WAY SUPERSEAL 1.0 FLEXIBLE BOOT 90°	
THIS PRINT, AND ALL INFORMATION THEREON, IS THE PROPERTY OF PROWIREUSA, LLC AND IS ON LOAN TO YOU ONLY ON THE CONDITION THAT WILL NOT COPY, REPRODUCE, TRANSMIT, OR SHOT THIS PRINT, OR ITS ESSENCE, IN WHOLE OR IN PART, TO A THIRD PARTY WITHOUT THE EXPRESS WRITTEN CONSENT OF PROWIREUSA, LLC.	
MATERIAL: Flexible Rubber Operating Temperature -20°C - 120°C	
FINISH: Matte Black	
TOLERANCES UNLESS NOTED: XXX ±.005 [1.127] X ±.1 [2.54] XX ±.02 [508] ANGLES ±1°	SIZE A DRAWING No. SSB-3490
DRAWN BY: CJK DRAWN DATE: 11/18/22 SCALE: 1:1.5	REV: 0 SHEET 1 OF 1