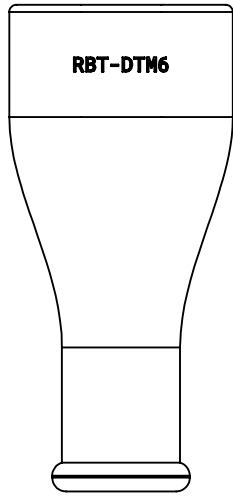


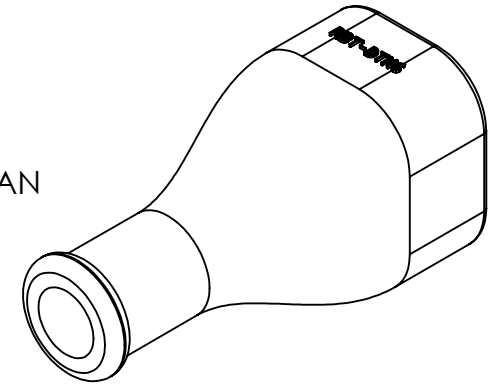
2

1



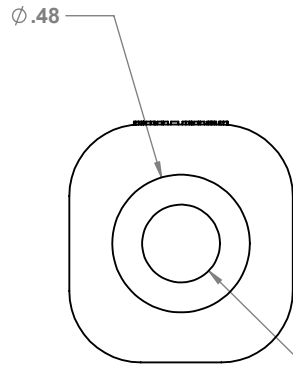
1

IF ADDITIONAL TAIL SEALING IS REQUIRED, A SHORT PIECE OF APPROPRIATELY SIZED ADHESIVE-LINED HEATSHRINK TUBING CAN BE USED.

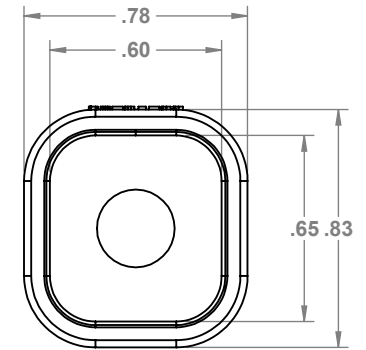
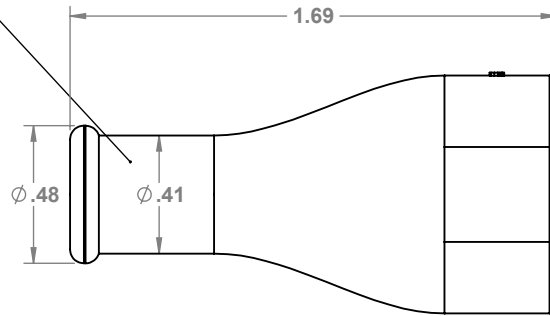


B

B



1



Ø.27 CABLE EXIT

A

A

**NOTES:**  
TO BE USED WITH 6 WAY DTM SERIES HOUSINGS THAT USE THE INEGRATED SHRINK BOOT ADAPTER MODIFICATION.

MOD CODES :

- E007
- EE03

PLEASE REFER TO THE CONNECTOR MFG DATASHEETS FOR THE FILL LIST OF MOD CODES

**PROPRIETARY AND CONFIDENTIAL**  
THE INFORMATION CONTAINED IN THIS DRAWING IS THE SOLE PROPERTY OF PROWIREUSA, LLC. ANY REPRODUCTION IN PART OR AS A WHOLE WITHOUT THE WRITTEN PERMISSION OF PROWIREUSA, LLC IS PROHIBITED.

- COMMENTS:**
- INTENDED FOR GENERAL AUTOIMOIVE AND INDUSTRIAL APPLICATIONS. RESITS COMMON AUTOMOTIVE FLUIDS

TEMP: -40 °C-125°C

APPLICATION: AUTOMOTIVE / INDUSTRIAL

UNLESS OTHERWISE SPECIFIED:

DIMENSIONS ARE IN INCHES  
TOLERANCES:  
FRACTIONAL ±  
ANGULAR: MACH ± BEND ±  
TWO PLACE DECIMAL ±  
THREE PLACE DECIMAL ±

INTERPRET GEOMETRIC TOLERANCING PER:

	NAME	DATE
DRAWN	CJK	8/31/23
CHECKED	JD	8/28/23
MATERIAL	FLEXIBLE RUBBER	
FINISH	MATTE BLACK	

DO NOT SCALE DRAWING



TITLE:

# DEUTSCH DTM SERIES 6 WAY RUBBER BOOT

SIZE	DWG. NO.	REV
<b>A</b>	<b>DTM6-BT</b>	<b>0</b>
SCALE: 1.5:1	WEIGHT: .0118 LBS	SHEET 1 OF 1

2

1