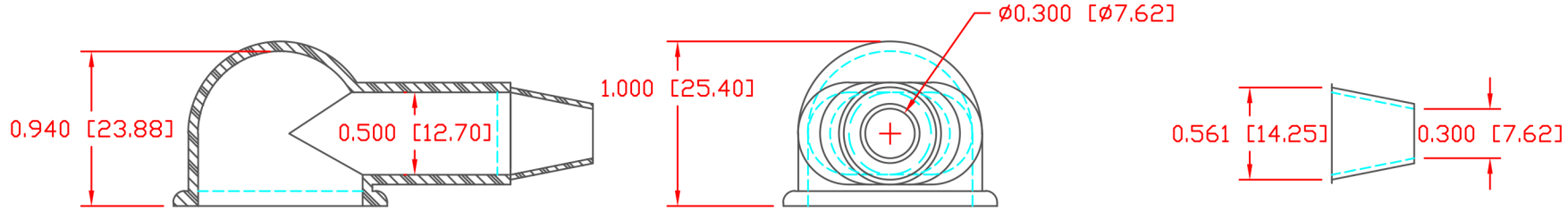
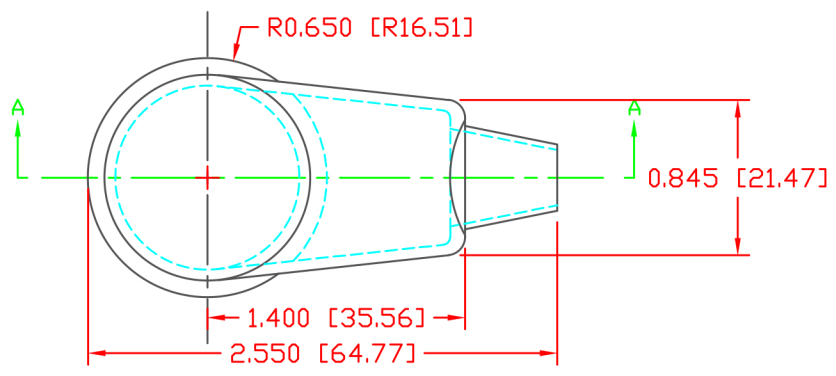


LTR.	REVISIONS	DATE	INT.
△	UPDATED DIMENSIONS	11-12-15	RAS



SECTION A-A  
TYP. WALL THICKNESS = .060" [1.5]

SEAL DETAILS  
SEAL THICKNESS = .030" [0.8]  
SEAL TOLERANCE: +.030/-0.010 [+0.8/-0.25]  
WIRE GAGES: 8 - 2



SCALE FACTOR : NONE  
ALL DIMENSIONS GIVEN AS: in [mm]  
TOLERANCES UNLESS OTHERWISE SPECIFIED :  
MOLDED PARTS: ±.030" [±0.8mm]  
ALL ANGLES ARE ± 1 DEGREE

MATERIAL:	PVC
VENDOR PART NO:	9812-65-BLACK
SHORE DUROMETER:	"A" 10 SEC. 65
SPECIFIC GRAVITY:	1.34
ULT. ELONGATION %:	400
MELTING TEMP:	315-335 F [157-168 C]
BRITTLE TEMP:	-54 F [-48 C]
TENSILE STRENGTH PSI:	1550 PSI
DIELECTRIC STRENGTH, V./mil:	453
U.L. RATING:	V2



REF:	DATE:	DRN BY:	WEIGHT:
CUSTOMER DIMS	03-26-98	JC	.019 LBS [8.48 g]
TITLE:		CHK'D BY:	
EYELET TERMINAL INSULATOR		JC	
MATERIAL:	PVC	PART NO.	
COLOR: BLACK	DRG CLASS REV A	670133	